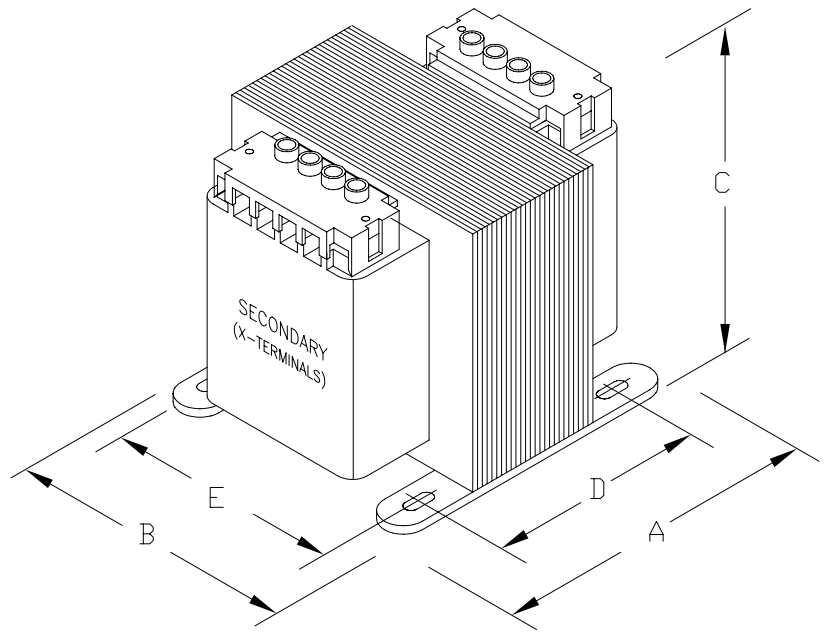


CONNECTION DIAGRAM



PROVIDED WITH SAFE TOUCH TERMINAL COVERS.  
NO INTEGRAL FUSING CAPABILITY.

DIMENSIONS							APPROX. WT. LBS (KG)
	A	B	C	D	E	MTG. SLOTS	
INCHES (MM)	3.38 (86)	3.75 (95)	3.50 (89)	2.44 (62)	3.13 (79)	0.203X0.460 (5.1X11.7)	



CAT.NO. <b>B100-2053-GA</b>		CONST. <b>ENCAPSULATED</b>				UL LISTED	
		MODEL <b>GLOBALTRAN</b>					
<b>RATING</b>							SP CERTIFIED
OUTPUT AMPS	4.17	PRIMARY V	380		TEMP. CLASS	CE	
VA	100	SECONDARY V	24		105°C		IEC 61558
					HZ 50/60	REVISION <b>G</b>	